



(Shown with custom I/O expansion)

DESCRIPTION

The **ADLEPC-1760** is a rugged, compact industrial-grade computer constructed from 6063 aluminum, with thick-walled design and a fanless, conduction-cooled CPU for industrial temperature operation. It features a durable anodized finish, flush-mounted screws, and flexible mounting options. The compact size and light weight make it ideal for a variety of industrial applications and environments...whether on the factory floor or in rugged external conditions.

Customizable High Performance

At the heart of the ADLEPC-1760 is a compact Intel® Atom® x6000RE Series industrial SBC with a host of onboard and M.2 expansion features. The compact chassis design has a very small footprint at only a 3.3" x 4.6"...the approximate size of an index card... making it ideal for embedded use in IIOT applications or retrofitting into high-value assets and infrastructure such as edge devices for power grid protection, oil and gas, unmanned applications, and more.

Custom I/O and Power

The EPC-1760 is highly customizable and can easily be adapted for particular customer needs including Wi-Fi, CAN, RS232, military-grade power, MIL-STD-1553, ARINC, and much more.

ADL Embedded Solutions, Inc. offers full turnkey system design services and is well versed at working collaboratively with customers to conceptualize and manufacture full custom EPC-1750 solutions or even full-custom system solutions. Contact your ADL sales engineer for details.

APPLICATIONS

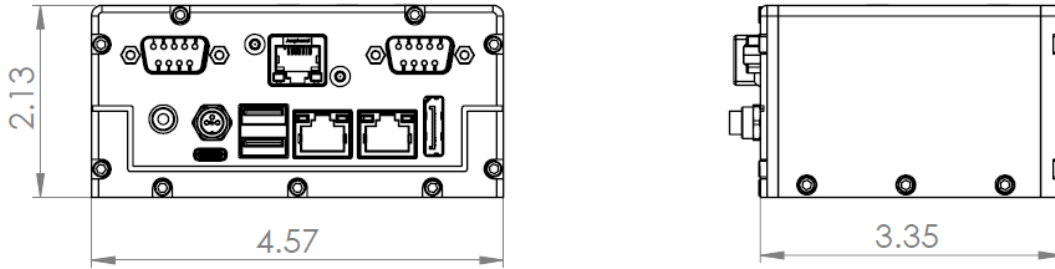
- Industrial IoT (IIoT) Network and Cloud Computing
- Cyber Security Edge Devices for ICS and SCADA threat security.
- Secure Networking (Secure Routing, Traffic Monitoring and Gateways)
- Intelligent Machinery and Equipment Controllers
- Unmanned or Autonomous Vehicle Mission/Payload Computing
- Traffic Engineering
- Wind Turbine Datalogging and Collision Avoidance
- Oil and Gas IPC Controller

TECHNICAL SPECIFICATIONS

FEATURES	FUNCTIONS
Intel® Atom Processors (Formerly codenamed Elkhart Lake)	<ul style="list-style-type: none"> Intel® Atom® x6425RE QC, 1.9 GHz, 1.5MB, 12W TDP Intel® Atom® x6416RE QC, 1.7 GHz, 1.5MB, 9W TDP Intel® Atom® x6214RE DC, 1.4 GHz, 1.5MB, 6W TDP
Security	Discrete TPM 2.0 SPI chip
Memory	Up to 32GB DDR4-3200
Storage	<ul style="list-style-type: none"> SATA Port Shared M.2 2242 PCIe x2 NVMe or SATA Shared 2230 PCIe X1 NVMe
Fixed Front-Side I/O and Features	<ul style="list-style-type: none"> 1x HDMI 2x USB 3.1 2x 10/100/1000 RJ45 Ethernet
Onboard I/O and Features	<ul style="list-style-type: none"> 2x programmable RS232/422/485 2x USB 2.0 HD Audio 8bit 3.3V GPIO
Expansion	<ul style="list-style-type: none"> 1x M.2 2242 KeyB (PCIe X2, SATA, USB 2.0) 1x M.2 2230 KeyE (PCIe x1, USB B 2.0)
Operating Temperature	<ul style="list-style-type: none"> Standard Temperature = -40C to 70C Note: Max temperature 75C with conduction cooling.
Power	Vin = 12VDC
Mechanical Specifications	<ul style="list-style-type: none"> HWD = 2.1" x 4.6" x 3.3" (54mm x 116mm x 85mm) Nominal Weight ~ 1.3lb Mounting: DIN Rail, VESA 50mmx50mm

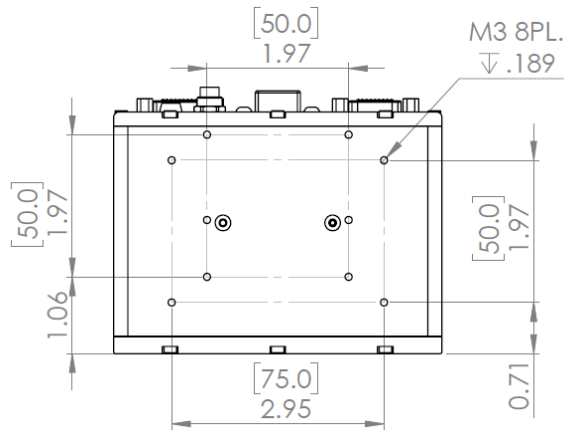
ADLEPC-1760 I/O Dimensions

(Shown with custom I/O options)



ADLEPC-1760 Mounting Holes

(Options: DIN Rail, 50mm x 75mm M3)



ORDERING INFORMATION

ITEM CODE	PART #	DESCRIPTION
ADLEPC-1762-DC		Intel® Atom® x6214RE Dual Core, 1.4 GHz, 1.5MB Cache, 6W TDP
ADLEPC-1764-QD		Intel® Atom® x6416RE Quad Core, 1.5 GHz, 1.5MB Cache, 9W TDP
ADLEPC-1766-QD		Intel® Atom® x6425RE Quad Core, 2.0 GHz, 1.5MB Cache, 12W TDP
ADLEPC-1750 Custom Configurations	CALL	Call your sales engineer for custom configurations featuring optional onboard and M.2 expansion I/O.
Options		
512MB NVMe	207-0512	512MB, NVMe M.2 KeyE PCIe1, seq. r/w 800/730 Extended Temp
ADLEPC-1700-PWRFL	100-9843	External power cable with circular connector with 18" flying leads
M.2 WiFi-6	CALL	WiFi-6 802.11ax/ac/a/b/g/n Industrial
EPC1700-Ant	232926	2ea Direct-attached WiFi antennas.
EPC1700-PSU	293049	Wide-Input 9VDC to 36VDC discrete power supply via circular connector
EPC1700-GPIO	100-9762	Optional DB9 8bit GPIO
DIN Rail Set	ADLEPC-1600-DIN	1 set DIN Rails
EPC1750-BAT		EPC1700 RTC Battery