



Compact HWD = 2.1" x 4.6" x 3.3"

DESCRIPTION

The **ADLEPC-1750** is a rugged, compact industrial-grade computer constructed from 6063 aluminum, with thick-walled design and a fanless, conduction-cooled CPU for industrial temperature operation. It features a durable anodized finish, flush-mounted screws, and flexible mounting options. The compact size and light weight make it ideal for a variety of industrial applications and environments...whether on the factory floor or in rugged external conditions.

Customizable High Performance

At the heart of the ADLEPC-1750 is a compact Intel® Atom® x6000E Series SBC with a host of onboard and M.2 expansion features. The compact chassis design has a very small footprint at only a 3.3" x 4.6"...the approximate size of an index card... making it ideal for embedded use in IIoT applications or retrofitting into high-value assets and infrastructure such as edge devices for power grid protection, oil and gas, unmanned applications, and more.

Custom I/O and Power

The EPC-1750 is highly customizable and can easily be adapted for particular customer needs including Wi-Fi, CAN, RS232, military-grade power, MIL-STD-1553, ARINC, and much more.

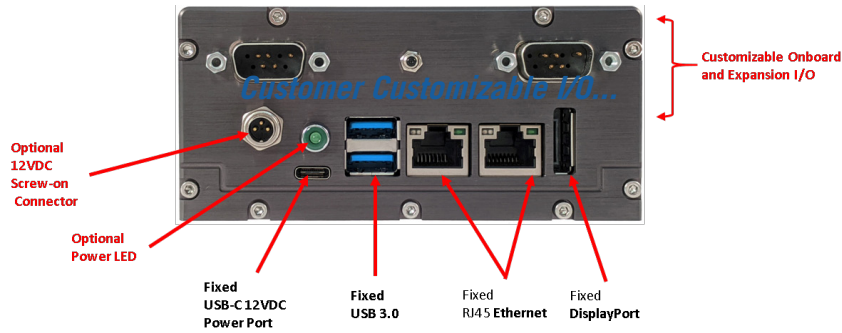
ADL Embedded Solutions, Inc. offers full turnkey system design services and is well versed at working collaboratively with customers to conceptualize and manufacture full custom EPC-1750 solutions or even full-custom system solutions. Contact your ADL sales engineer for details.

APPLICATIONS

- Industrial IoT (IIoT) Network and Cloud Computing
- Cyber Security Edge Devices for ICS and SCADA threat security.
- Secure Networking (Secure Routing, Traffic Monitoring and Gateways)
- Intelligent Machinery and Equipment Controllers
- Unmanned or Autonomous Vehicle Mission/Payload Computing
- Traffic Engineering
- Wind Turbine Datalogging and Collision Avoidance
- Oil and Gas IPC Controller

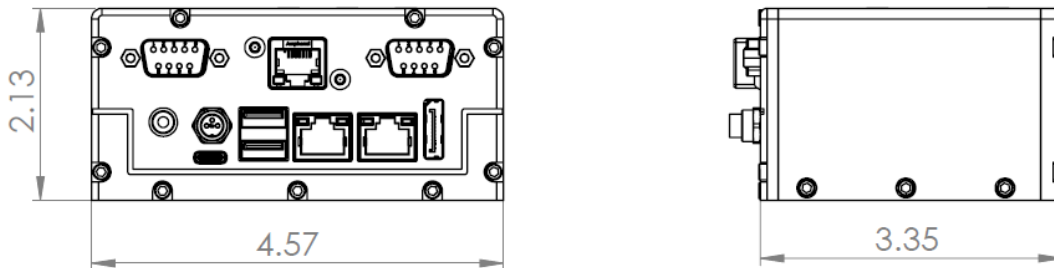
TECHNICAL SPECIFICATIONS

| FEATURES | FUNCTIONS |
|-----------------------------------------------------------------|-----------------------------------------------------------------------------------------------------------------------------------------------------------------------------------------------------------------------------------------------------------------------------------------------------------------------------------------------------------|
| Intel® Atom Processors (Formerly codenamed Elkhart Lake) | <ul style="list-style-type: none"> • Intel® Atom® x6425RE quad, 1.9GHz, 1.5MB cache, 8GB RAM, 12W TDP, Gfx Gen11 32EU, Passmark 3017 • Intel® Atom® x6414RE quad, 1.5GHz, 1.5MB cache, 4GB RAM, 9W TDP, Gfx Gen11 16EU, Passmark 1544 • Intel® Atom® x6212RE dual, 1.2GHz, 1.5MB cache, 4GB RAM, 6W TDP, Gfx Gen11 16 EU |
| Security | TPM 2.0 (Infineon SLB9670/SLB9672) |
| Memory | Up to 8GB Soldered-Down LPDDR4x at 4267 MT/s. |
| Storage | <ul style="list-style-type: none"> • 1x SATA III Port for SATADOM capacity up to 128GB • 1x mSATA SATA III Socket with capacity up to 512GB |
| Fixed Front-Side I/O and Features | <ul style="list-style-type: none"> • 1x DisplayPort; 4K @ 60Hz (DP 1.4) • 2x USB 3.1 Gen2 (10 Gbit/s) • 2x 10/100/1000 RJ45 Ethernet • 12VDC Power: Circular connector and USB-C Power Port |
| Onboard I/O and Features | <ul style="list-style-type: none"> • 2x BIOS-Selectable RS232/422/485; Linux-Only • 2x USB 2.0 • HD Audio • 6bit 3.3V GPIO |
| Expansion | <ul style="list-style-type: none"> • 1x M.2 2280/2242 KeyB socket with Gen3 PCIe X 2, SATA 6 Gb/s, and USB 2.0. For NVMe or expansion I/O. • 1x M.2 2230 KeyE socket with PCIe Gen3 x1 and USB 2.0. Shared by 512MB NVMe or WiFi. |
| Operating Temperature | <ul style="list-style-type: none"> • Standard Temperature = -40C to 70C • Note: Max temperature 75C with conduction cooling. |
| Power | Vin = 12VDC |
| Mechanical Specifications | <ul style="list-style-type: none"> • HWD = 2.1" x 4.6" x 3.3" (54mm x 116mm x 85mm) • Nominal Weight ~ 1.3lb • Mounting: DIN Rail, VESA 50mmx50mm |

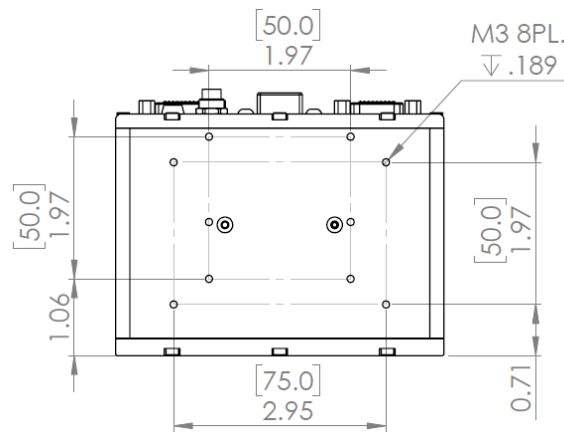


ADLEPC-1750 I/O Ports and Features

(Pre-Configured ADLEPC-1752/1754/1756 shown)



ADLEPC-1700 Dimensions



Mounting: Din Rail, 50mm x 75mm M3

ORDERING INFORMATION

| ITEM CODE | PART # | DESCRIPTION |
|------------------------------------------|-----------------|------------------------------------------------------------------------------------------------------------------------------------------------------------------------------------------------|
| ADLEPC-1750-DC | | Intel® Atom® x6212RE Dual, 1.2GHz, 1.5MB cache, 4GB RAM, 6W TDP, Gfx Gen11 16 EU: Power LED + Power Reset Button, screw-type circular power conn, onboard 2x RS232/422/485 (DB9, Linux) |
| ADLEPC-1754-QD | | Intel® Atom® x6414RE Quad, 1.5GHz, 1.5MB cache, 4GB RAM, 9W TDP, Gfx Gen11 16EU, Passmark 1544: Power LED + Power Reset Button, screw-type circular power conn, 2x RS232/422/485 (DB9, Linux) |
| ADLEPC-1756-QD | | Intel® Atom® x6425RE Quad, 1.9GHz, 1.5MB cache, 8GB RAM, 12W TDP, Gfx Gen11 32EU, Passmark 3017: Power LED + Power Reset Button, screw-type circular power conn, 2x RS232/422/485 (DB9, Linux) |
| ADLEPC-1750 Custom Configurations | CALL | Call your sales engineer for custom configurations featuring optional onboard and M.2 expansion I/O. |
| Options | | |
| 1TB NVMe | 207-1000 | 1TB, NVMe M.2 2280 Key B PCIe2 Gen3, seq. r/w 2000/1900 MB/s, Extended Temp |
| 2GB NVMe | 207-2000 | 2TB, NVMe M.2 2280 Key B PCIe2 Gen3, seq. r/w 2000/1900 MB/s, Extended Temp |
| 512MB NVMe | 207-0512 | 512MB, NVMe M.2 KeyE PCIe1, seq. r/w 800/730 Extended Temp |
| ADLEPC-1700-PWRFL | 100-9843 | External power via industrial circular connector with 18" flying leads |
| ADLEPC-1700-PWR | ADLEPC-1700-PWR | 60W USB-C Wall Adapter |
| M.2 WiFi-6 | CALL | WiFi-6 802.11ax/ac/a/b/g/n Industrial |
| EPC1700-Ant | 232926 | 2ea Direct-attached WiFi antennas. |
| M.2 COM | M.2-COM-2SM/4SM | 2x or 4x RS232/422/485, DB9, software selectable, Windows and Linux drivers |
| EPC1700-PSU | 293049 | Wide-Input 9VDC to 36VDC discrete power supply via circular connector |
| EPC1700-GPIO | 100-9762 | Optional DB9 8bit GPIO |
| DIN Rail Set | ADLEPC-1600-DIN | 1 set of ADLEPC1700/1600 DIN Rails |
| EPC1700-BAT | | EPC1700 RTC Battery |
| M.2 Dual-CAN | CALL | 2-Ch CAN 2.0 A/B and FD, DB9 |
| M.2 Dual-CAN-ISO | CALL | Isolated 2-Ch CAN 2.0 A/B and FD, DB9 |
| M.2 16xAIO | CALL | 16x A/D (12/16bit, 100/250/500/1000 KHz), 2x DIO, 4x D/A |
| M.2 16xAI | CALL | 16x A/D (12/16bit, 100/250/500/1000 KHz), 2x DIO |
| M.2 24xDIO | CALL | M.2, 24x TTL I/O (optional CoS) |
| M.2 Relay | CALL | M.2 4/8/16x Isolated Inputs with options for 4/8 SSR Out or 4/8 FormC Out |