



Ultra-Compact: 1.3" x 3.4" x 3.2"
(33mm x 86mm x 81mm)

TECHNICAL SPECIFICATIONS

FEATURES	FUNCTIONS
Processors Available	Formerly Codenamed Apollo Lake E3940, QC, 1.5 GHz, 2MB, 9.5W TDP E3930, DC, 1.3 GHz, 2MB, 6.5W TDP
Memory	Up to 8GB LPDDR4-2400 MHz soldered-down.
Display	DP++ (4096 x 2160, 24 bit @ 60 Hz)
SATA Flash Storage	1x M.2 Socket Key B, 2242
Input / Output	2x 100/1000 LAN, 1x USB2.0, 1x USB3.0, 1x Display Port
Input Voltage	24VDC Nominal, (+20% / -15%) Galvanic Isolation = 1500Vrms
Dimensions / Weight	1.3" x 3.4" x 3.2" (33mm x 86mm x 81mm) Weight = 12.3 oz (350 grams)
Operating Temperature	Standard Temperature = -40C to 70C Note: Max temperature 75C+ when mounted to cooling plate.
Operating Systems	Windows 10 and 11, Linux
Mounting Options	DIN Rail; VESA 50mm x 50mm; Direct Mount
Expansion Options	<ul style="list-style-type: none"> 1x mPCIe Socket Add-On Module 2x LAN Add-on Module

APPLICATIONS

- Industrial IoT (IIoT) network and cloud computing
- Cyber security edge devices for networks, ICS and SCADA threat security
- Secure networking (routing, traffic monitoring and gateways)
- Intelligent machinery and equipment controllers
- Unmanned or autonomous vehicle mission / payload computing
- Traffic Engineering
- Wind turbine datalogging and collision avoidance
- Oil and Gas
- Kiosk and ATM applications

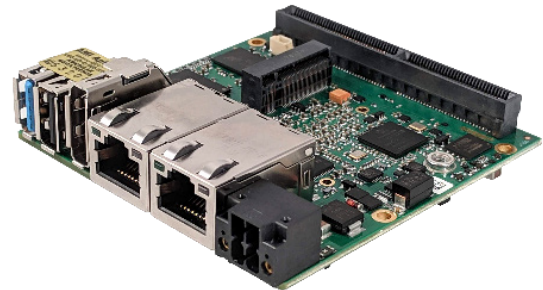
DESCRIPTION

Based on the ADLE3900SEC Intel E3900-series Atom, this compact embedded PC delivers maximum performance in a very small 3.4" x 3.2" footprint. It features an Intel E3900-series Atom processor with rugged soldered-down LPDDR4 memory up to 8GB and an integrated Intel® HD Graphics 500 engine with support for DirectX 12, Open GL 4.6, and full HD video playback. The ADLEPC-1550 comes packaged in an industrial-grade chassis with mounting options for a variety of environments.

The ADLEPC-1550 can also be easily expanded for more complex applications with optional COTS expansion options.

Custom Design Services

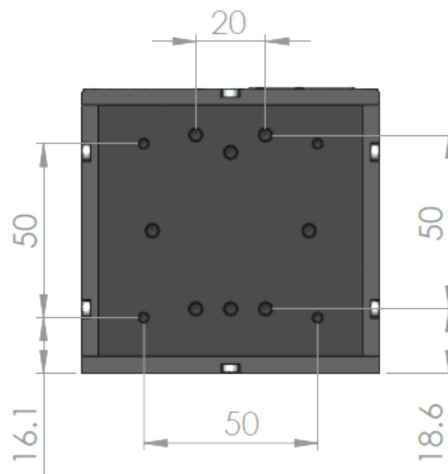
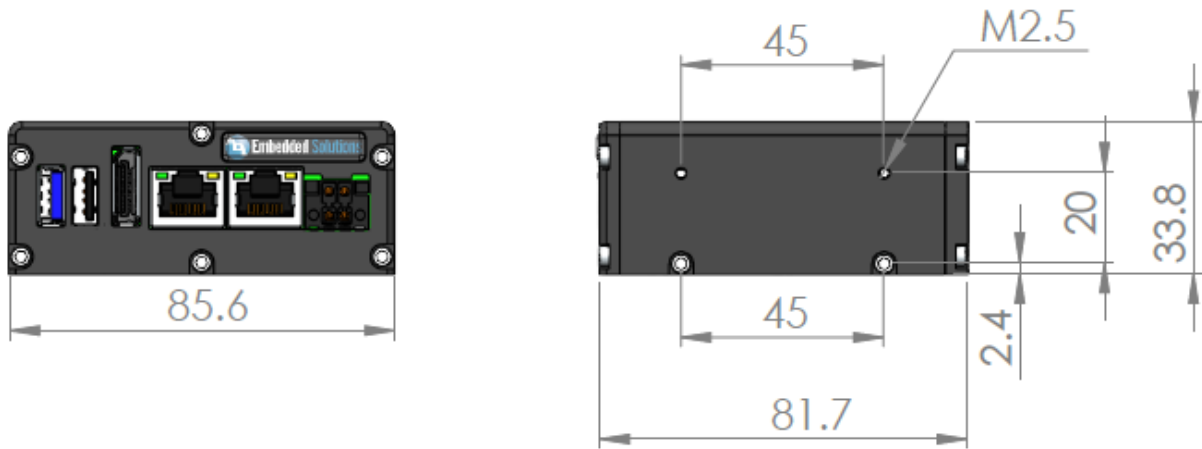
ADL Embedded Solutions, Inc. offers custom design services to support customer-specific applications requiring additional I/O, high-IP (ingress protection) or military rugged applications.



*Data subject to change without notice.



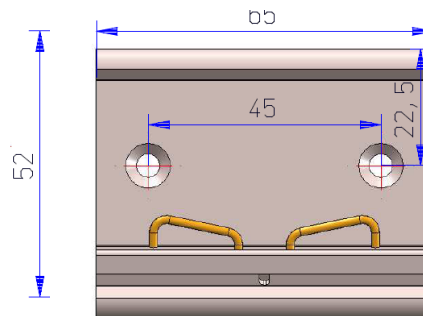
Overall Dimensions



Mounting Options:

- VESA 20mm x 50mm
- 4x M3 50mm x 50mm
- Vertical DIN Rail
- Horizontal DIN Rail

DIN RAIL Dimensions





ORDERING INFORMATION

System Item Code	Part #	DESCRIPTION
ADLEPC-1552-DC-EXT	ADLEPC-1552-DC-EXT	Intel E3930 Atom, Dual Core, 1.3 GHz, 2MB Cache, 4GB LPDDR4-2400
ADLEPC-1554-QC-EXT	ADLEPC-1554-QC-EXT	Intel E3940 Atom, Quad Core, 1.6 GHz, 2MB Cache, 4GB LPDDR4-2400
ADLEPC-1558-QC-EXT	ADLEPC-1558-QC-EXT	Intel E3940 Atom, Quad Core, 1.6 GHz, 2MB Cache, 8GB LPDDR4-2400
Options and Accessories	Part #	DESCRIPTION
ADLEPC-1600-PWR	ADLEPC-1600-PWR	24VDC, 40W AC/DC Wall Adapter, -20C to 60C.
ADLSEC-BATT	ADLSEC-BATT	ADL SEC Battery Option; -40C to 85C
ADLSEC-mPCIe	CALL	Call to discuss mPCIe adapter and functional requirements.
ADLSEC-2XLAN	CALL	2X Ethernet LAN Add-On Option (Total 4 LAN Ports)
ADLEPC-1500-DIN	ADLEPC-1500-DIN	DIN Mounting Kit
M.2 2242 Key B SATA	Call for options	M.2 2242 Key B SATA
Chamber Burn-In	290000	4 hr burn-in from -40C to 85C. Test sheet provided.
CPU Coating/Underfill	807708	CPU board Conformal Coating and BGA Underfill for high shock and vibration and humidity.
M.2 Coating	807720	M.2 module Conformal Coating