

TECHNICAL SPECIFICATIONS

FEATURES	FUNCTIONS
PCIe Resources	Converts 4x PCIeX1 lane into 4x mPCIe sockets. No PCIe/104 Bus Pass-through.
mPCIe support	Supports half or full-sized mPCIe modules.
PCIe/104 Type	Switch option for Type 1 or Type 2.
mPCIe Interface	Type 2 CPU: PCIeX1, USB 2.0, SMBUS, Micro-SIM socket, 2x SATA Type 1 CPU: PCIeX1, USB 2.0
mSATA Support	Switch option for socket 3 and 4 via dip switch setting. Requires Type 2 CPU.
Power	Powered from PCIe/104 Bus +5V AND +3.3V.
Dimensions / Weight	95 mm x 96 mm / 48.5 grams (empty)
Operating Temperature	Designed for -40C to 85C operation
Shock and Vibration	Designed for MIL-STD 810H
Mounting Options	Standard PC/104 mounting holes 2mm standoffs for mPCIe/mSATA installation
Operating System	Compatible with Linux and Windows operating systems.
Storage Temperature	-40C to 85C

OVERVIEW

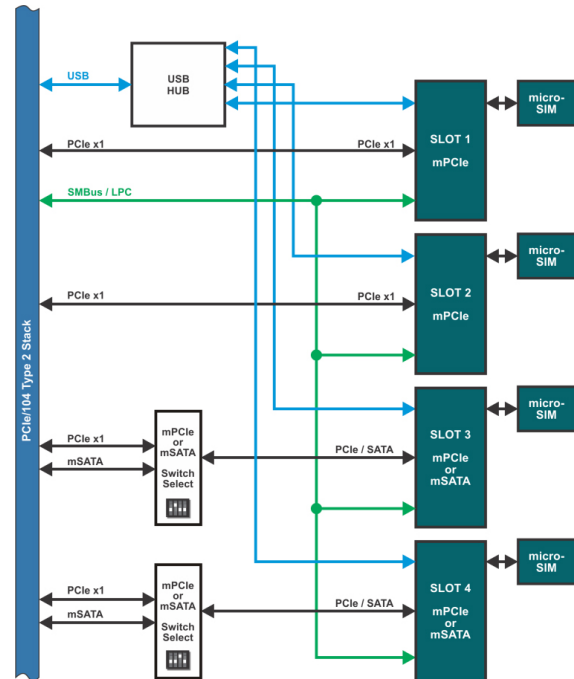
- Provides 4x mPCIe sockets from 4x PCIeX1 lanes.
- Designed for rugged MIL-STD 810 PC/104 applications.
- Designed for SWAP challenged applications by providing low-profile PCIe/104 stack solutions
- PCIe/104 Type2 (No PCIe/104 X16 Bus) with support for USB, LPC, SMBUS and 2x mSATA when provided by CPU.

DESCRIPTION

The ADLMPCIE-4 is a Type 2 PCIe/104 carrier board designed to support up to four PCI Express mPCIe modules in either half or full lengths.

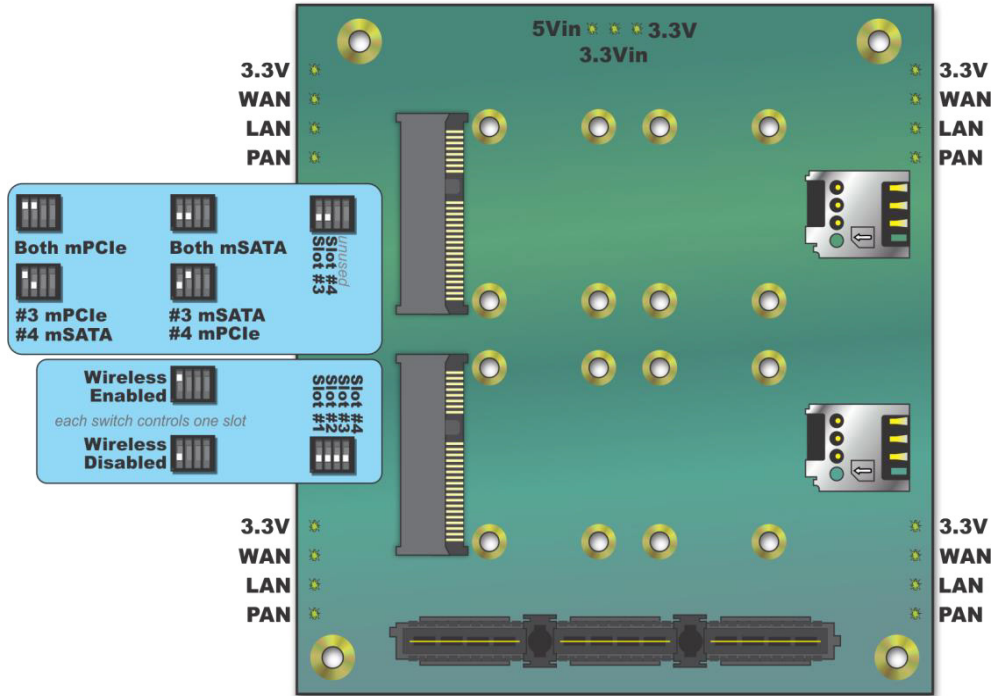
In addition the board supports up to two mSATA devices (on slots 3 & 4) via dip-switch selection, and all 4 sockets support wireless mPCIe devices — including micro-SIM sockets per slot.

Having four peripheral device slots on one PCIe/104 stack-height card truly multiplies the flexibility of your embedded designs without compromising size or ruggedness. All without limiting I/O bandwidth as each mPCIe/mSATA socket has its own dedicated PCIeX1 interface.





SWITCH SETTINGS



ORDERING INFORMATION

ITEM CODE	PART #	DESCRIPTION
4x4 mPCIe Carrier	299864	Bottom-Stacking 4x mPCIe carrier from 4x PCIeX1 lanes. No PCIe/104 pass-through
Conformal Coating	807706	Conformal Coating with Humiseal 1B31

*Data subject to change without notice.