



Ultra-Compact: 1.3" x 3.4" x 3.2" (33mm x 86mm x 81mm)

Weight: 12.3 oz (350 grams)

TECHNICAL SPECIFICATIONS

FEATURES	FUNCTIONS
Processors Available	E3845 - quad core Atom, 1.91GHz, 2MB cache E3827 - dual core Atom, 1.75GHz, 1MB cache
Memory	4GB DDR3-1333MHz (soldered onboard) 2GB DDR3-1333MHz (soldered onboard)
Graphics	Display Port (2560x1600); BIOS option for HDMI (1920x1200) using DisplayPort cable
SATA Flash Storage	1x M.2 Socket Key B, 2242; Sold separately
Input / Output	2x 100/1000 LAN, 1x USB2.0, 1x USB3.0, 1x Display Port
Input Voltage	20-30 VDC; 24V Nominal Optional Vin Ranges = 12-30V or 20-36V
Dimensions / Weight	1.3" x 3.4" x 3.2" (33mm x 86mm x 81mm) Weight = 12.3 oz (350 grams)
Operating Temperature	Standard Temp = -20C to 60C Standard Ext. Temp = -40C to 75C with conduction cooling
Operating System	Linux and Windows 7 and 10 compatible
Mounting Options	DIN Rail; VESA 50mm x 50mm; Direct Mount
EMC	CE/FCC compliant; Safety by CB Scheme
Shock and Vibration	Designed for EN50155 Railway Tolerance
Digital In / Out	S/PDIF In / Out

APPLICATIONS

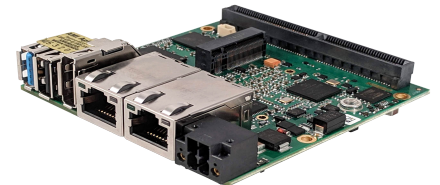
- Industrial IoT (IIoT) network and cloud computing
- Cyber security edge devices for networks, ICS and SCADA threat security
- Secure networking (routing, traffic monitoring and gateways)
- Intelligent machinery and equipment controllers
- Unmanned or autonomous vehicle mission / payload computing
- Traffic Engineering
- Wind turbine datalogging and collision avoidance
- Oil and Gas
- Kiosk and ATM applications

DESCRIPTION

ADLEPC-1500 is Microsoft Azure Certified for IoT.

Based on the [ADLE3800SEC](#) Intel E3800-series Atom, this compact embedded PC delivers maximum performance in a very small 3.4" x 3.2" footprint. It features an Intel E3800-series Atom processor with soldered 4GB or 2GB DDR3 RAM and an integrated Intel HD Graphics engine with support for DirectX 11, Open GL 4.0, and full HD video playback. The [ADLEPC-1500](#) comes packaged in an industrial-grade chassis with mounting options for a variety of environments.

Via its SBC [edge-connect architecture](#), the ADLEPC-1500 can easily be extended to larger custom systems with added I/O and functionality. This makes it possible for a fixed processor / software combination across similar products with varying I/O needs.



Custom I/O and Power

ADL Embedded Solutions, Inc. offers custom board development services to support customer-specific application I/O and power requirements. This standardizes the CPU module across products with varying I/O features while maintaining a fixed hardware, BIOS and firmware configuration thereby easing the burden of software and driver maintenance.

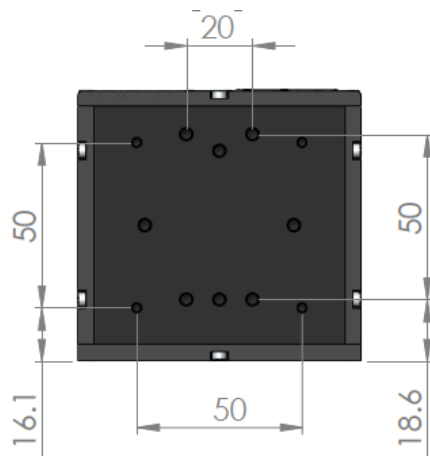
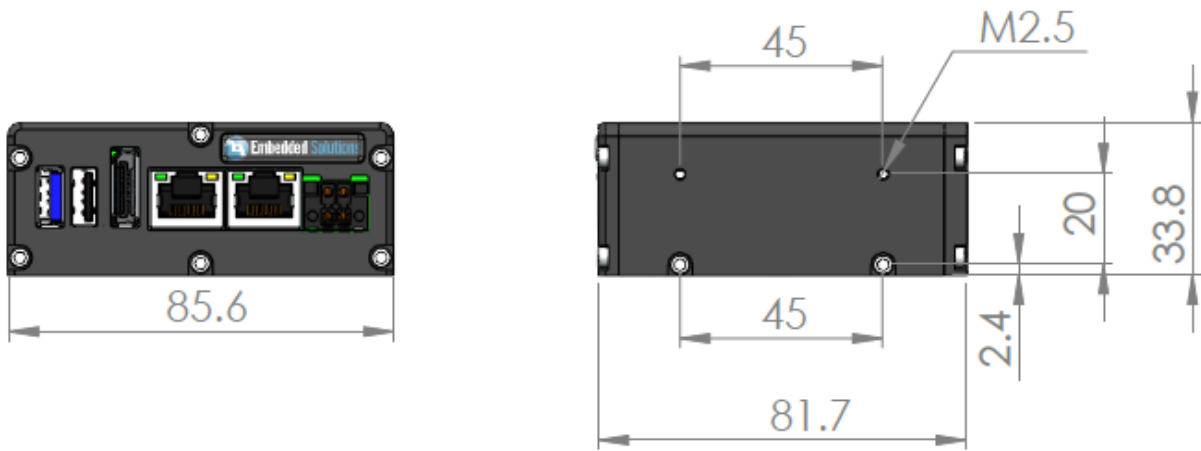
[Contact us for more information.](#)



ORDERING INFORMATION

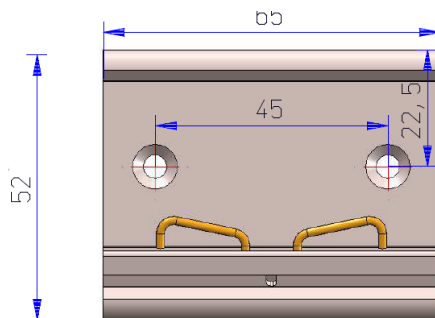
ITEM CODE	PART #	DESCRIPTION
System		
ADLEPC-1504-QC	ADLEPC-1504-QC	Intel E3845 Atom Processor; Quad-Core, 1.91 GHz, 2MB Cache, 4GB, Standard Temperature
ADLEPC-1504-DC	ADLEPC-1504-DC	Intel E3827 Atom Processor; Dual-Core, 1.75 GHz, 1MB Cache, 4GB, Standard Temperature
ADLEPC-1504-QC-EXT	ADLEPC-1504-QC-EXT	Intel E3845 Atom Processor; Quad-Core, 1.91 GHz, 2MB Cache, 4GB, Extended Temperature
ADLEPC-1504-DC-EXT	ADLEPC-1504-DC-EXT	Intel E3827 Atom Processor; Dual-Core, 1.75 GHz, 1MB Cache, 4GB, Extended Temperature
ADLEPC-1506-QC	ADLEPC-1506-QC	Intel E3845 Atom Processor; Quad-Core, 1.91 GHz, 2MB Cache, 2GB, Standard Temperature
ADLEPC-1506-DC	ADLEPC-1506-DC	Intel E3827 Atom Processor; Dual-Core, 1.75 GHz, 1MB Cache, 2GB, Standard Temperature
ADLEPC-1506-QC-EXT	ADLEPC-1506-QC-EXT	Intel E3845 Atom Processor; Quad-Core, 1.91 GHz, 2MB Cache, 2GB, Extended Temperature
ADLEPC-1506-DC-EXT	ADLEPC-1506-DC-EXT	Intel E3827 Atom Processor; Dual-Core, 1.75 GHz, 1MB Cache, 2GB, Extended Temperature
Options and Accessories		
ADLEPC-1600-DC-PWR	ADLEPC-1600-DC-PWR	24VDC, 150W AC/DC Wall Adapter
ADLSEC-BATT	ADLSEC-BATT	ADL SEC Battery Option; -40C to 85C
ADLEPC-1500-DIN	ADLEPC-1500-DIN	DIN Mounting Kit
M.2 2242 Key B SATA	Call for options	M.2 2242 Key B SATA
ADLEPC-VINMOD	401700 401750	Modify 20-36V Operation Modify 12-30V Operation

*Data subject to change without notice.



MOUNTING

Bottom:
VESA M4 20mmx50mm
M3 50mmx50mm
Optional:
DIN RAIL Upright
DIN RAIL 90 degrees
Side:
M2.5 45mmx20mm



- DIN RAIL Dimensions