




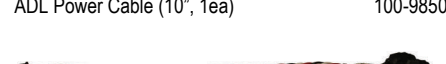




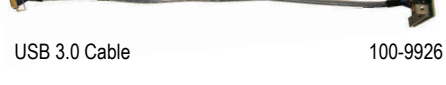




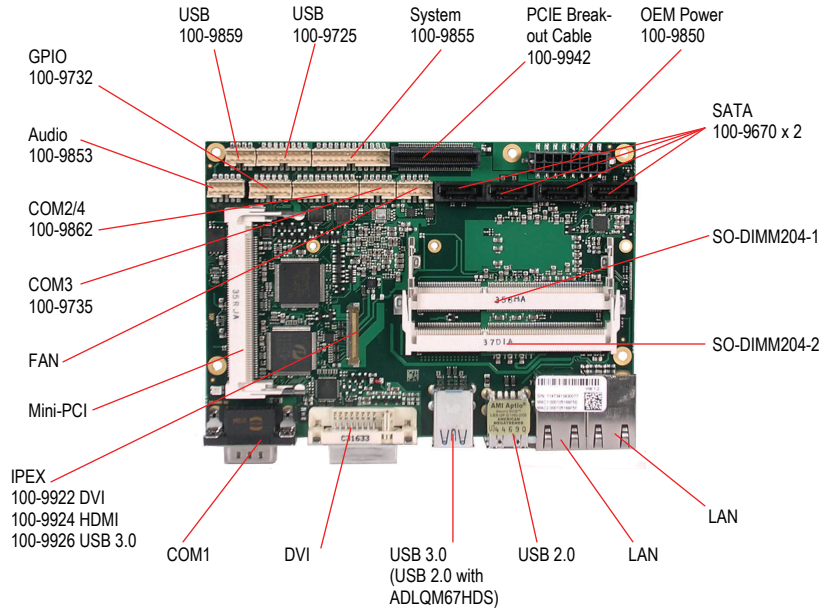
Standard Cable Kit

- 
100-9655
- 
100-9725
- 
100-9735
- 
100-9670
- 
100-9850
- 
100-9853
- 
100-9855




Additional Cable Accessories

- 
100-9922
- 
100-9924
- 
100-9926
- 
100-9942

ADLQM67HDS & ADLQM87HD Connector Map



Additional Cable Accessories, Cont'd

- 
100-9850X
- 
100-9859
- 
100-9862

Ordering Information

Item Codes	Part#	Description
ADLQM67HDS-CK	294875	Development cable kit for ADLQM67HDS CPU's
ADL3GQM67HDS-CK	294875	Development cable kit for ADL3GQM67HDS CPU's
ADLQM87HD-CK	294875	Development cable kit for ADLQM87HD CPU's
Note: each cable also sold separately		

Data subject to change without notice